

SAFETY WARNINGS

1. Warning for vulnerable consumer groups: This product is not recommended for minors, pregnant or breastfeeding women, or anyone at risk of heart disease, depression, and asthma.

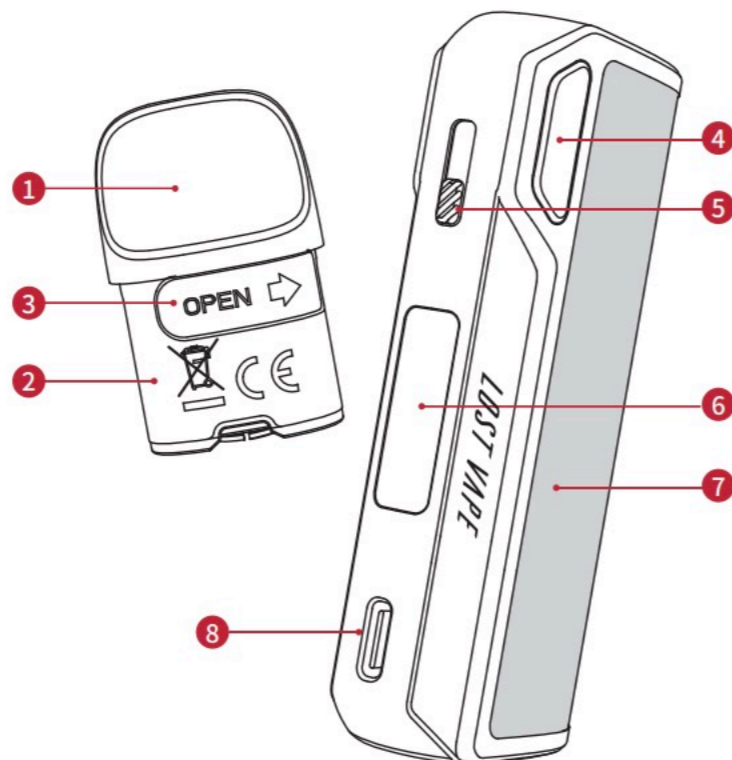
2. Battery Caution: Do not expose the device to extreme temperatures. Do not disassemble the device without Lost Vape's recommendation.

3. Cartridge Attention: Do not dry burn the cartridge or coil. It is essential to prime a new coil. Simply fill your tank with e-liquid and leave it to stand for at least 5 minutes before vaping. As above, this will allow the cotton inside your new coil to absorb plenty of e-liquid ready for that first, tasty vape. All cartridges/coils are not covered under warranty once they are opened, used, or filled with liquids.

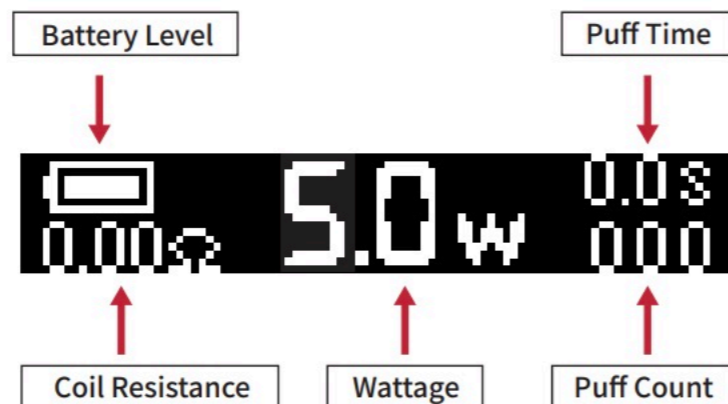
4. Warranty: The device is covered by a 3-month warranty from the date of purchase.

5. Contacts: For further questions or inquiries, please contact Lost Vape by email at support@lostvape.com or visit our website: www.lostvape.com.

COMPONENTS OVERVIEW

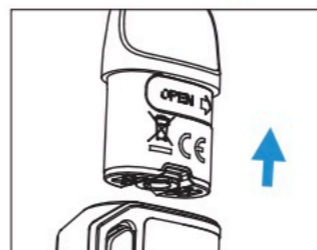


- ① Mouthpiece
- ② Cartridge
- ③ E-liquid Refilling Plug
- ④ Fire Button
- ⑤ Airflow Control Button
- ⑥ 0.69" OLED Screen
- ⑦ Built-in Battery
- ⑧ Type-C Port

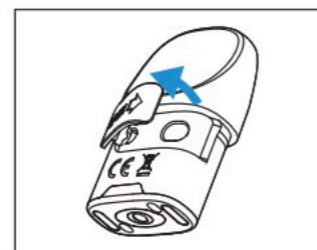


BASIC OPERATION

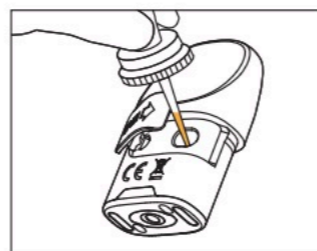
FILL WITH E-LIQUID



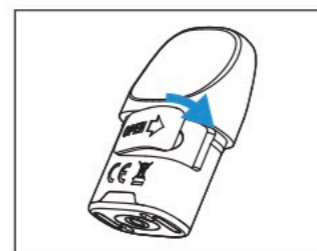
1. Take out the pod.



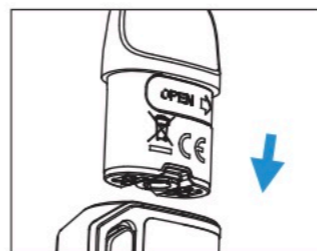
2. Open the e-liquid refilling plug.



3. Refill the pod from the filling slot.



4. Seal the plug after filling.



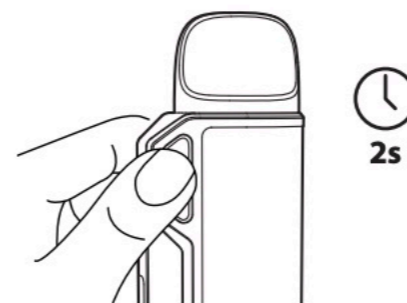
5. Put the pod back into the device.



6. Leave it to stand for at least 5 minutes before vaping.

TURN ON / OFF

Press the Fire button 5 times consistently within 2 seconds to TURN ON/OFF the device.

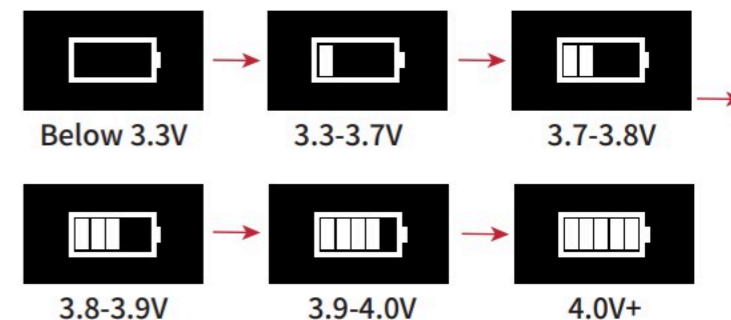


ADJUSTMENT LOCK/UNLOCK

Press the Fire button 3 times consistently within 2 seconds to Lock /Unlock the button. Note that the Auto Draw feature will remain operational in this mode.

CHARGING MODE

When the battery is charging, the screen will be displayed as follows:



HOW TO ADJUST WATTAGE

1) Press the Fire button 3 times consistently within 2 seconds to adjust wattage.

2) Short press the Fire button to increment/decrease power by 0.5W step; long press for rapid incrementation/decrement. Different coil resistance Ω has different max./min. power limit. When it reaches the max. power limit, it will prompt "Max Power", stop pressing the button to retain at max. power value. Short press the button again to return to min. power value.

WARNING DESCRIPTION

Low Battery: This message means battery voltage below 3.3V before use or lower than 3.0V when you are using, this will continue to display for a few seconds after attempting to fire the device. Please charge it.

Check Atomizer: It means no atomizer detected, the atomizer resistance show 0.00 Ω .

Short Circuit: It means that the atomizer short circuited and did not produce any power.

Too Hot: The device will shut down when the temperature of the internal board is higher. You can use the device again when the temperature is back to 60°C.

Over 10s: Output will automatically cut off and the screen shows "Over 10s" when you vape over 10s continuously.

BASIC PARAMETERS

Dimension	36*18*84mm
Net Weight	76±5g
Battery Capacity	1400mAh
Battery Voltage	3.0V-4.2V
Power Range	5W-40W
Coil Resistance Range	0.3 Ω -1.0 Ω
Pod Capacity	3ml (Standard) / 2ml (TPD)
Charging Voltage	5V/1.4A
Type-C Cable	Support 5V/2A Charger
Body Material	Zinc Alloy, PCTG, PU Leather