

Thanks for your purchase of a VOOPOO product. For better use of all the functions of this product, please carefully read the operation notes and detailed functional instructions before first use. If you have any problem using this product, please contact our local agent or visit our official website at www.vooopoo.com.

Parameters

Size	106.2*30.2*21.3 mm
Power Range	5-40 W
Battery Capacity	2000 mAh (Built-in)
Output Voltage	3.2-4.2 V
Charging Voltage	5 V / 1 A
Resistance Range	0.3 - 3.0 Ω
E-liquid Capacity	4.5 mL (Standard & US Version) / 2 mL (TPD Version)
Resistance	0.6 Ω / 0.8 Ω

Steps

Step 1. Fill e-liquid

Open the lid on the filling port, then fill with e-liquid. It is recommended to keep the cartridge two-thirds full.

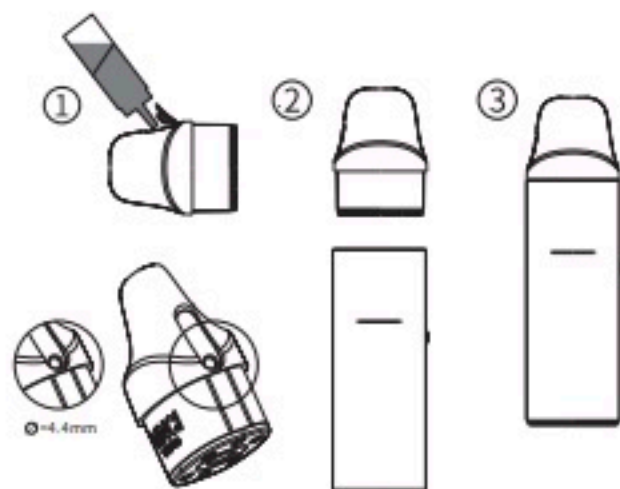
Step 2. Install the cartridge

Insert the cartridge filled with e-liquid into the device.

Step 3. Start using the device

After keeping it standing for about five minutes, you are free to use the device.

Adjust the airflow with the control toggle to suit your vaping preferences for the best experience.



Operation Instructions

Airflow Adjustment: There is an airflow control toggle, and you can adjust it according to your vaping habits.

Indicator Light Instructions: While vaping, the indicator light shows the current battery level at the start and finish of each puff. For the rest of the time, the light changes between different colors.

Green: 100%–60%

Blue: 60%–30%

Red: Below 30%

Timeout Protection: After continuous inhalation for 8 seconds, the device will automatically lock and the blue light will flash five times.

Cartridge Insertion Detection: Green light flashes three times.

Cartridge Not Recognized: Output stops during inhalation, and the blue light flashes three times.

Resistance Too Low: Output stops during inhalation, and the yellow light flashes three times.

Safety Protection

Timeout Protection: 8 seconds

Short Circuit Protection: Red light flashes five times

Low Battery Protection: Red light flashes three times

Overcharge Protection

Overcurrent Protection

Overheat Protection

Maintenance and Cleaning

- When using the device, you may notice occasional liquid condensation on the outside of the cartridge/tank. This occurs because the liquid is vaporized, and as the vapor cools, it condenses on the outer surface, a common and inevitable physical phenomenon.
- In daily use, you can often use a wet paper towel to wipe the connection between the device and the cartridge/tank to prevent poor connectivity.
- If a small amount of condensate is found inside the device during use, we recommend removing the cartridge/tank, reversing the device, and shaking it for a few seconds.



Notes

- When the product is used with nicotine-containing e-liquids:
 - Nicotine is a highly addictive substance. No other ingredients of this product are known to be addictive.
 - Nicotine benzoate [828-490-9] Toxic if swallowed. Keep out of reach of children. Wash hands thoroughly after handling. Do not breathe vapors. IF SWALLOWED: Immediately call a POISON CENTER or doctor/physician. If medical advice is needed, have the product container or label at hand. Dispose of contents/container to designated place in accordance with local regulations.
- This product is not recommended for minors, non-smokers, pregnant or breast-feeding women, or anyone at risk of heart disease, depression, and asthma.
- Please keep the device away from heat, fire, and water. This device should be stored in a cool and shady environment.
- Please do not drop, throw, or immerse the device in the water.
- Please turn off or lock the device to avoid accidental firing when you carry it out.
- Please rationally use the device according to your personal situation. If discomfort occurs, please stop using it immediately.
- EEE Recycling: This product should not be treated as household waste. Instead, it should be taken to the collection place for the recycling of electrical and electronic equipment.

8. Battery Recycling: The product battery should not be treated as household waste. Instead, it should be taken to the used battery collection place for recycling.

9. It is recommended to use the USB cable provided by VOOPOO to charge the device.

10. If the device is not used for an extended period, it is recommended to charge regularly to prevent deep discharge!

11. The ambient temperature ranges from -5 °C -30 °C, with humidity 40%-75% RH. Operating temperature of the electronic cigarette: 0 °C -40 °C!

12. Disassembly is prohibited after product failure!

13. Only for indoor charging, please use a UL-certified USB charger to avoid the danger of fire and explosion!

Warm Prompt

Cartridge/Tank Leakage

There is a possibility of e-liquid leakage at high pressure when you travel by air. Therefore, please keep your cartridge/tank away from other important objects.

Deal with Condensate

There may be slight condensation due to the difference between indoor and outdoor temperature when you use the device. It is advisable to take out the cartridge/tank, and shake it downwards.

Warranty

A three-month warranty is provided. During the warranty period, we will provide maintenance and replacement services. Please note the following conditions.

- It only applies to the products registered on VOOPOO after-sales service website.
- We assume no liability for damage caused by the user's negligence or accident.
- We are not responsible for any damage that occurs during use, maintenance or modification that does not conform to the operating instructions in the manual.
- The defects not caused by processing and the appearance problems are not covered in the warranty.
- After-sales service for the coil is not provided.

